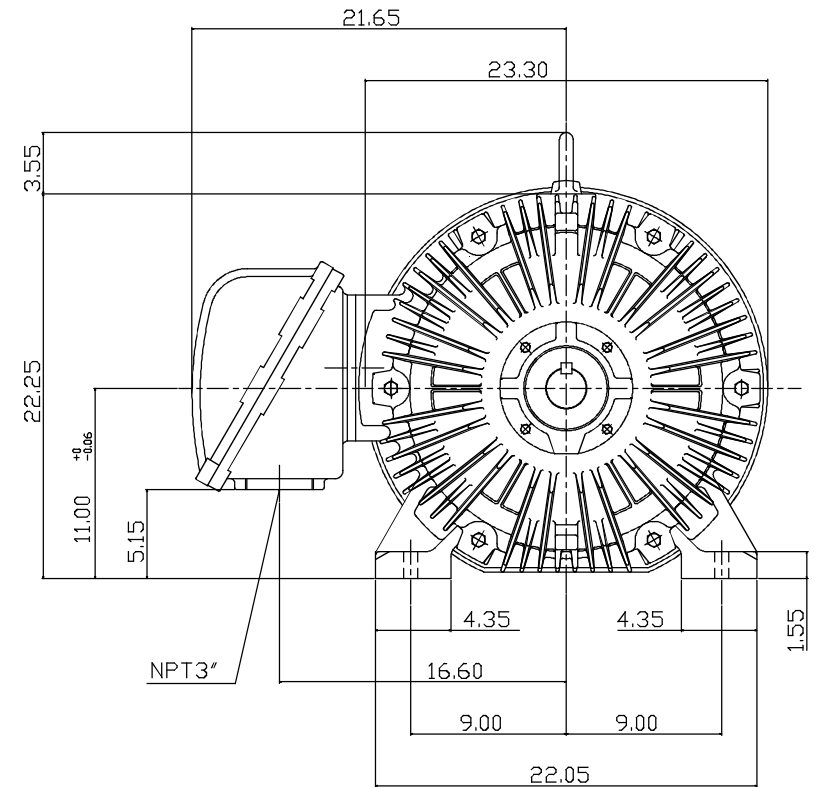
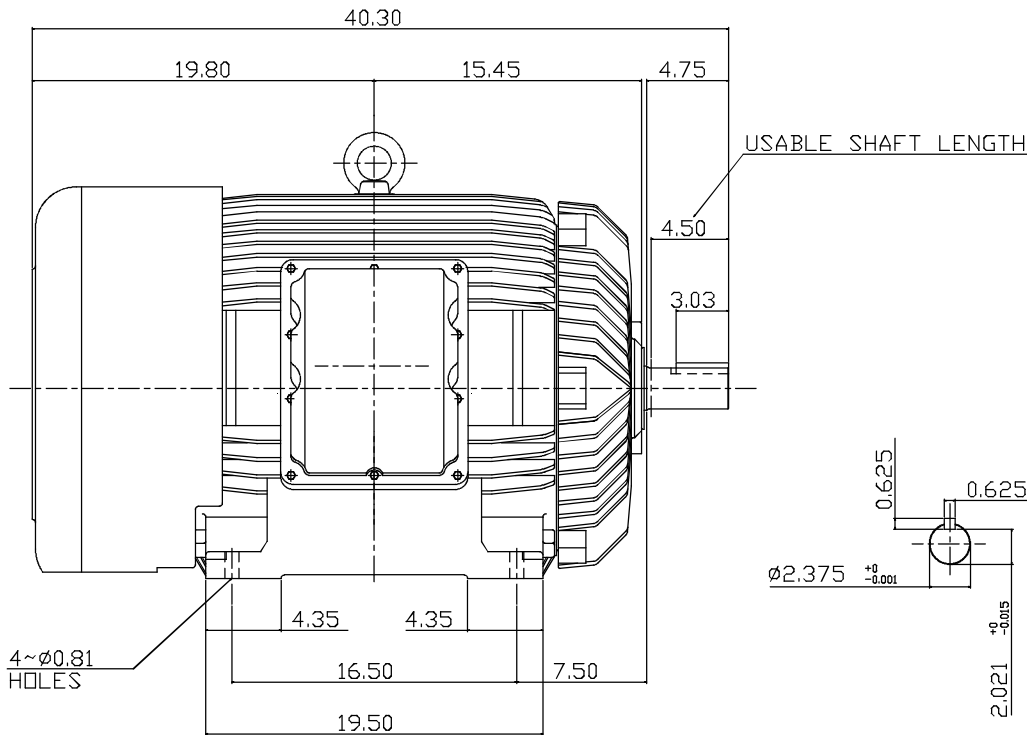


TYPE	OUTPUT		POLE	TIME RATING	VOLTAGE V	Hz	SYN.SPEED R.P.M
	HP.	KW.					
AEHHXU	150	112	2	CONT.	460	60	3600

TOTALLY ENCLOSED FAN-COOLED TYPE, SQUIRREL-CAGE ROTOR



NOTE:

1. DIMENSIONS IN INCH.
2. FRAME NO. 445TS
3. F CLASS INSULATION, S.F.1.15
4. UL EXPLOSION PROOF
5. SUITABLE FOR DIVISION I, CLASS I, GROUP D, CLASS II, GROUP E,F,G.
6. BEARING SIZE: DRIVE END: 6313C3
NON-DRIVE END: 6313C3
7. MOTOR APPROX. WEIGHT: 1600 LBS
8. PREMIUM EFFECIENCY.

DATE MAY 2, 2011	OUTLINE DIMENSIONS
CATALOG NO. XP1502	3-PHASE INDUCTION MOTOR
DWG NO. 3A040T3280	REV: 00

DWN.	W.L.LIN	APR•07•2003
CHKD.	W.L.LIN	APR•07•2003
APPD.	C.WANG	APR•07•2003

TECO Westinghouse

TX-56