

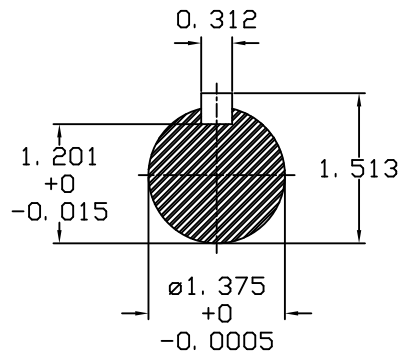
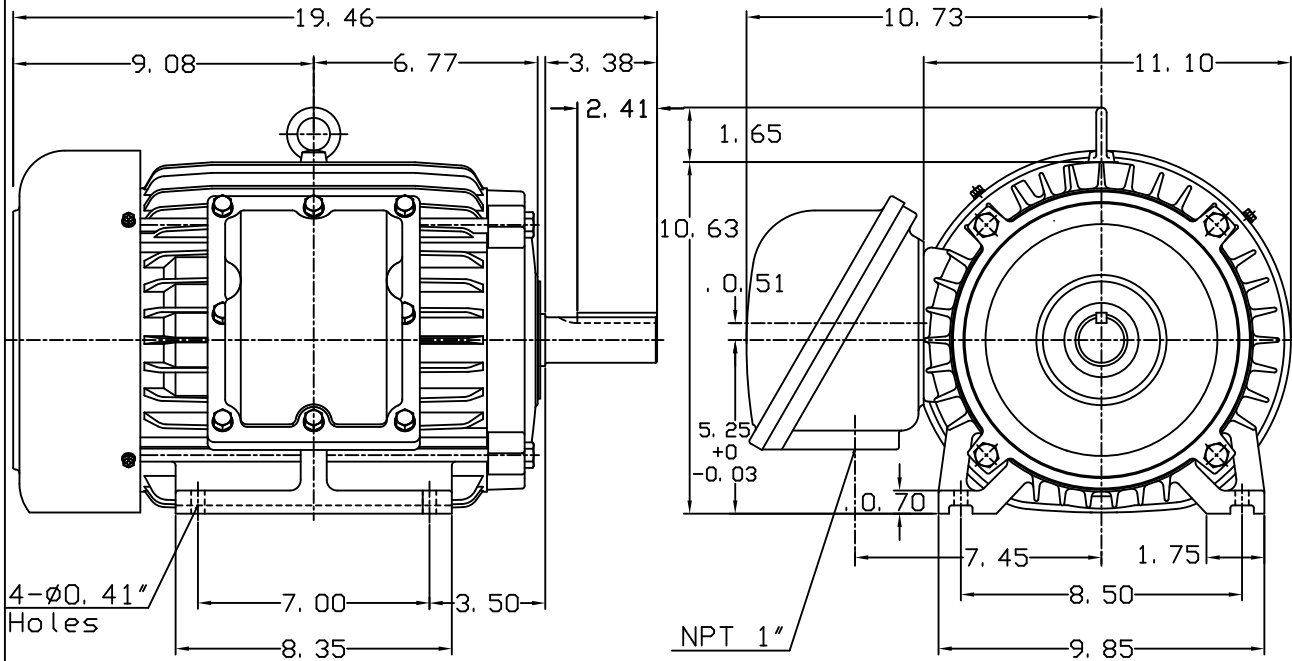
DATE  
MAY 18, 2013  
CATALOG NO.  
XP0038

OUTLINE DIMENSIONS  
3-PHASE INDUCTION MOTOR

MOTOR TYPE:  
AEHHXU  
FRAME NO. 215T

Pole	HP	KW	Hz	VOLT	Syn. Speed RPM
8	3	2.24	60	230/460	900
Ins	Rating	Dimension in	Approx Weight	Bearings	
F	CONT.	inches	211 lbs.	DE: 6308ZZ	NDE: 6306ZZ

Totally Enclosed Fan-Cooled Type, Squirrel-Cage Rotor.



NOTE:  
1. EXPLOSION PROOF:  
CLASS I GROUP C, D AND  
CLASS II GROUP E, F, G.

DWN.	J. H. LIANG	11-12-98
CHKD.	C. S. LO	11-23-98
APPD.	Y. B. HUANG	11-23-98

TECO Westinghouse

DWG NO.  
31049H823010