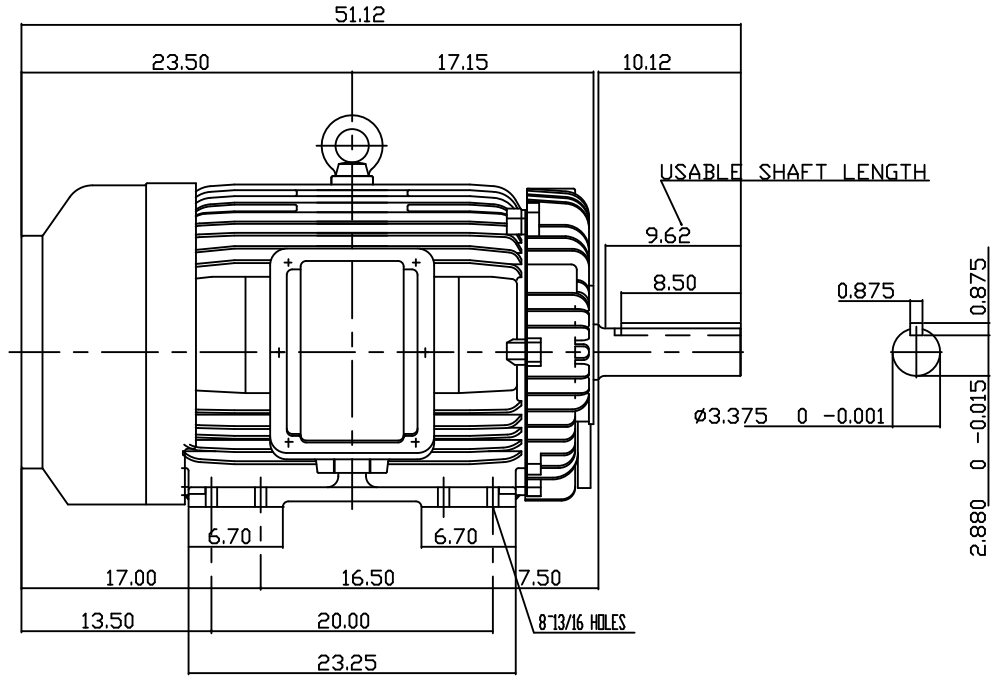
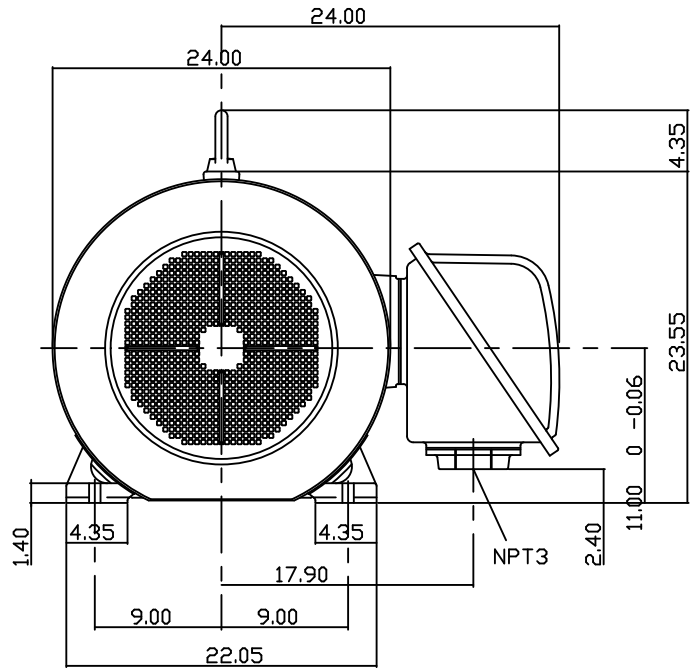


| TYPE   | OUTPUT |       | POLE | TIME RATING | VOLTAGE V | Hz | SYN.SPEED R.P.M |
|--------|--------|-------|------|-------------|-----------|----|-----------------|
|        | HP.    | kW.   |      |             |           |    |                 |
| AEEAGD | 150    | 111.9 | 6    | CONT.       | 380       | 50 | 1000            |

TOTALLY ENCLOSED FAN-COOLED TYPE, SQUIRREL-CAGE ROTOR



NOTE:

1. DIMENSIONS IN INCH
2. FRAME NO. 447TZ
3. F CLASS INSULATION, S.F.1.0
4. FOR BELT DRIVE
5. ENCLOSURE: IP54
6. BEARING SIZE DRIVE END: NU320C3  
NON-DRIVE END: 6316
7. APPROX. WEIGHT: 2450 LBS

TW-56C

|                   |             |                         |                 |
|-------------------|-------------|-------------------------|-----------------|
| DATE 20110905     |             | OUTLINE DIMENSIONS      |                 |
| CAT. # CD1506R-50 |             | 3-PHASE INDUCTION MOTOR |                 |
| DWN. J.WANG       | JUL 04 2005 | TEC Westinghouse        | DWG NO. REV: 00 |
| CHKD. H.HUANG     | JUL 04 2005 |                         | 3B040C139       |
| APPD. C.WANG      | JUL 04 2005 |                         |                 |