

DATE
Sept. 6, 2011
CAT. #: CD0756R-50

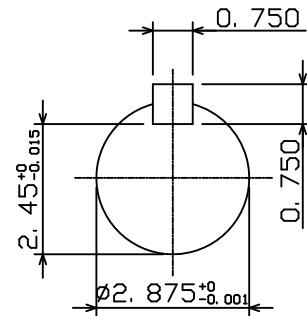
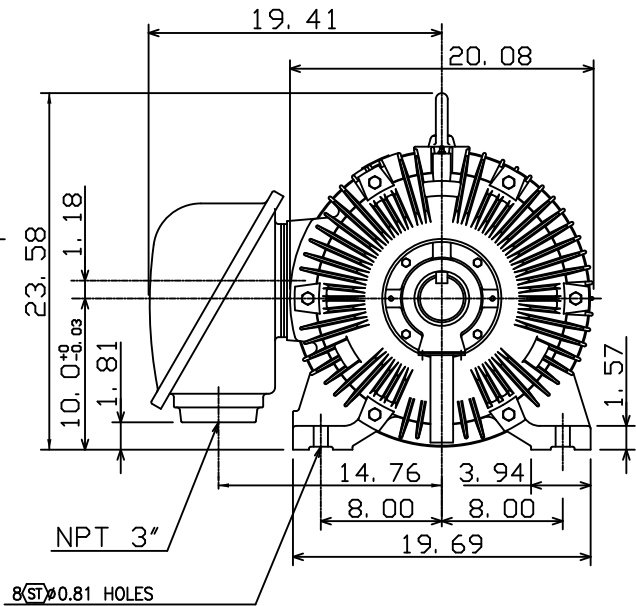
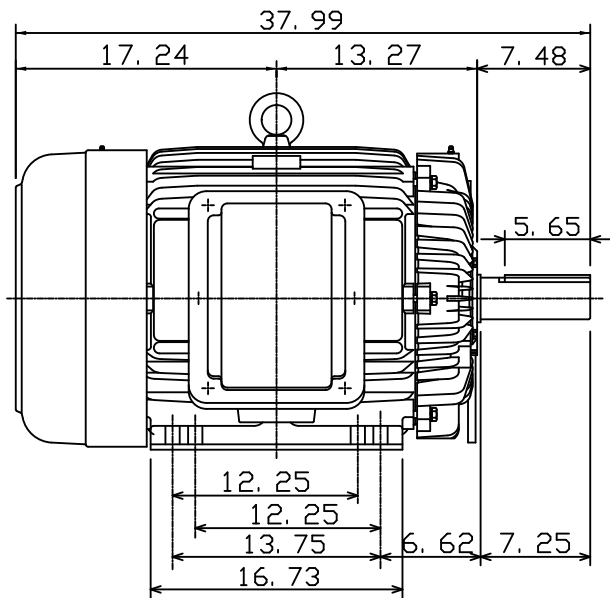
OUTLINE DIMENSIONS
3-PHASE INDUCTION MOTOR

MOTOR TYPE:
AEEAGD
FRAME NO. 405T

Pole	HP	kW	Hz	VOLT	Syn. Speed r/min(rpm)
6	75	55.95	60	190/380	1000

Ins	Rating	Dimension in	Approx Weight	Bearings
F	CONT.	inches	1230 lbs	DE: NU317 NDE: 6313

Totally Enclosed Fan-Cooled Type, Squirrel-Cage Rotor.



DWN.	K. L. KUO	01-08-05
CHKD.	C. H. KAO	01-28-05
APPD.	M. C. TSAI	01-28-05



DWG NO.
31049M241600