

DATE
Sept. 6, 2011
CAT. #: CD0204-50

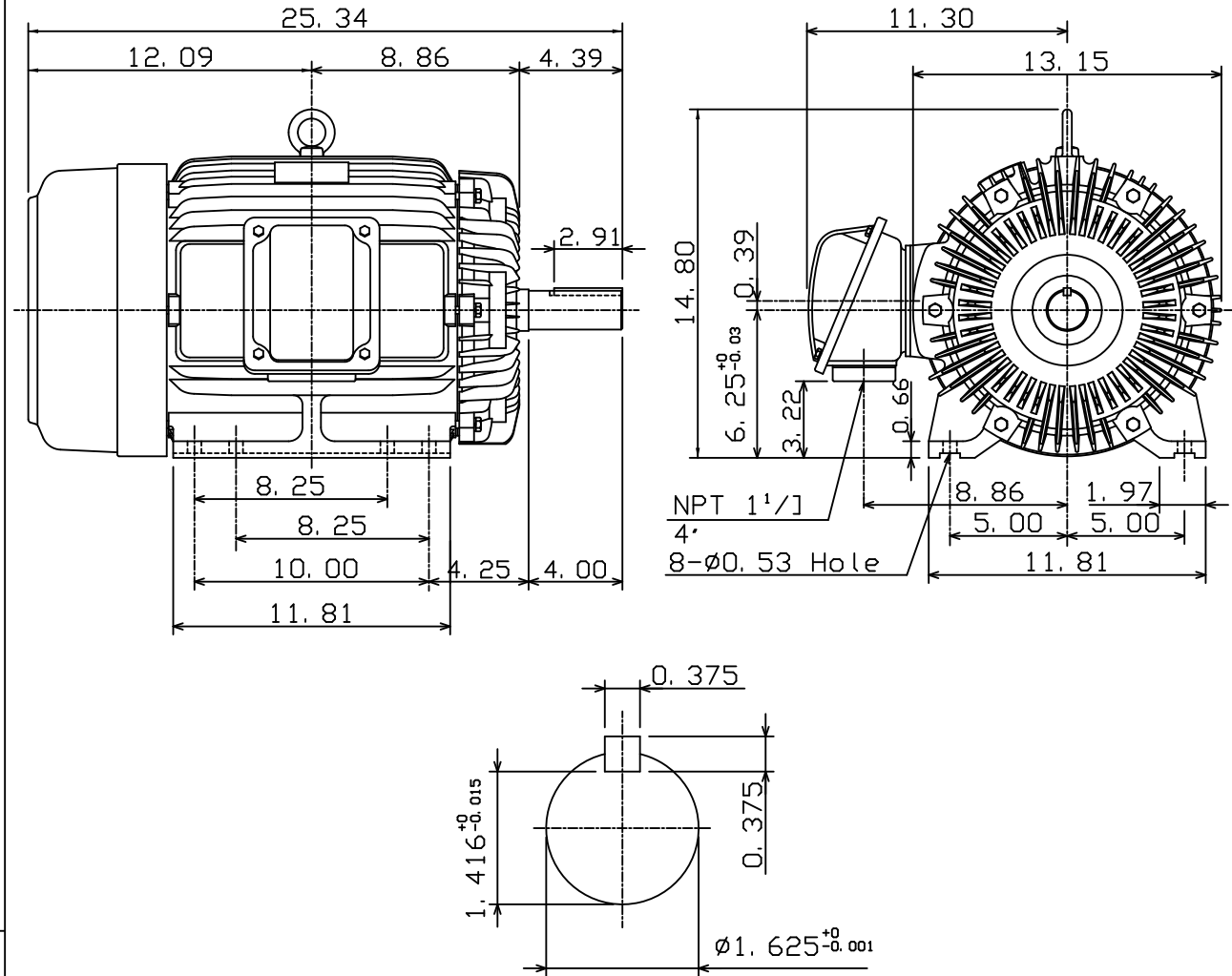
OUTLINE DIMENSIONS
3-PHASE INDUCTION MOTOR

MOTOR TYPE:
AEEAGD
FRAME NO. 256T

Pole	HP	kW	Hz	VOLT	Syn. Speed r/min(rpm)
4	20	15	50	190/380	1500

Ins	Rating	Dimension in	Approx Weight	Bearings
F	CONT.	inches	323 lbs.	DE: 6309ZZ NDE: 6307ZZ

Totally Enclosed Fan-Cooled Squirrel Cage Rotor.



DWN. K. L. KUO 12-30-04
CHKD. C. H. KAO 01-28-05
APPD. M. C. TSAI 01-28-05



DWG NO.
31057H203660