

DATE
Sept. 6, 2011
CAT. #: CD0504-50

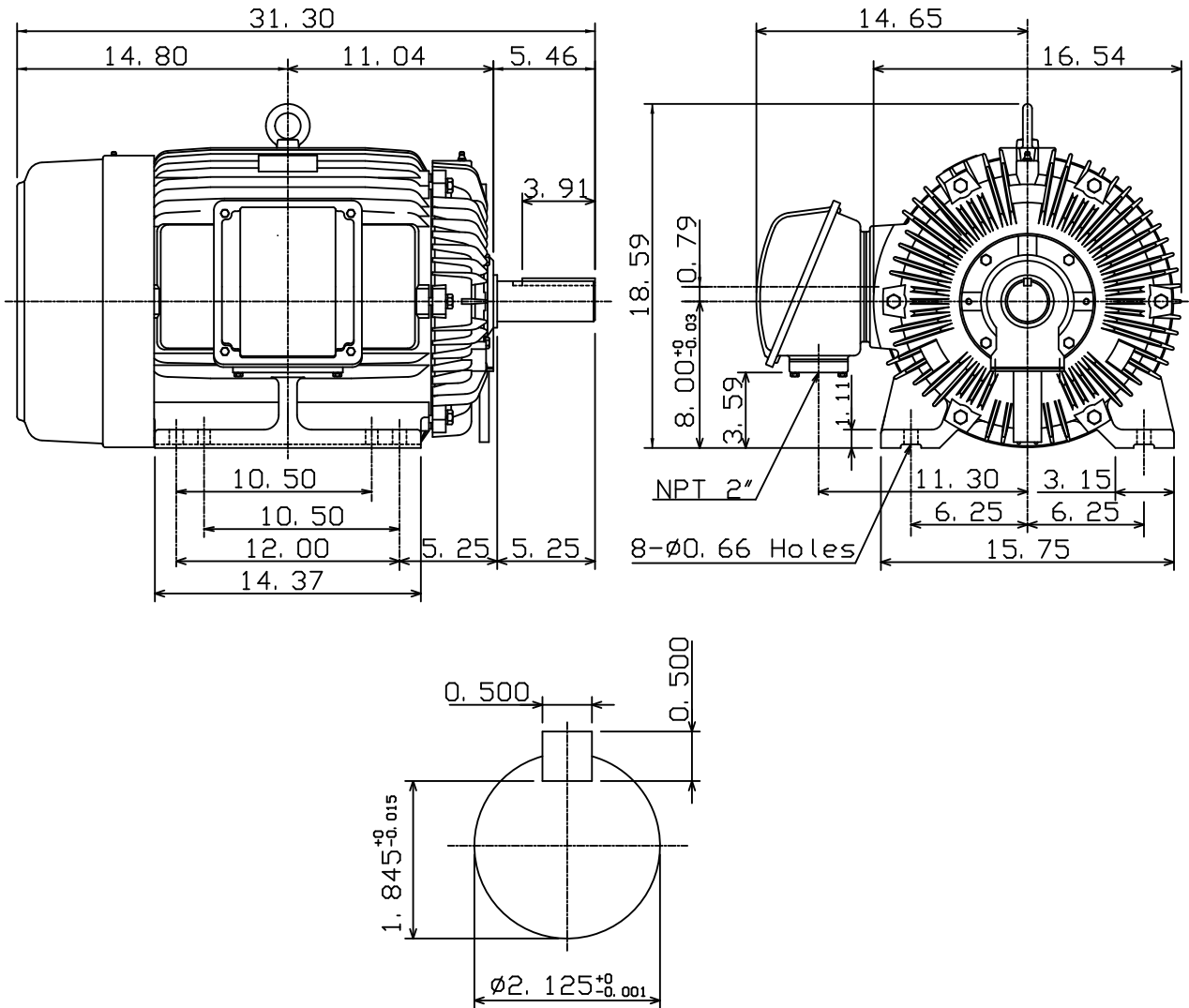
OUTLINE DIMENSIONS
3-PHASE INDUCTION MOTOR

MOTOR TYPE:
AEEAGD
FRAME NO. 326T

Pole	HP	kW	Hz	VOLT	Syn. Speed r/min(rpm)
4	50	37.3	50	190/380	1500

Ins	Rating	Dimension in	Approx Weight	Bearings	
F	CONT.	inches	686 lbs.	DE: 6312	NDE: 6212

Totally Enclosed Fan-Cooled Type. Squirrel-Cage Rotor.



DWN. K. L. KUO 01-04-05
CHKD. C. H. KAO 01-28-05
APPD. M. C. TSAI 01-28-05



DWG NO.
31057H209440